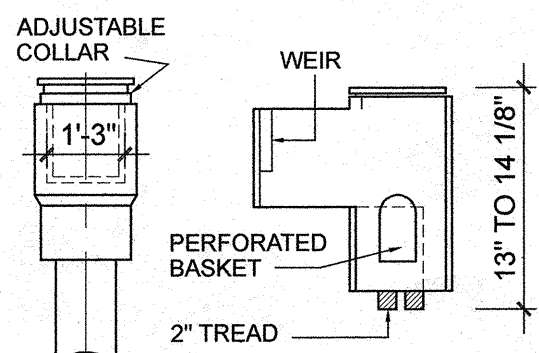
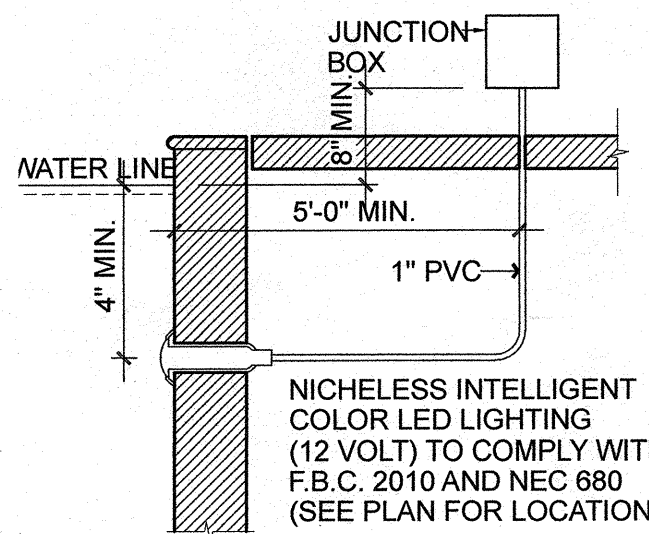


GENERAL NOTES:
 1. POOL MECHANICAL EQUIPMENT ANCHORAGE HAS BEEN DESIGNED TO COMPLY WITH F.B.C. SECT. 301.13
 2. ALL EQUIPMENT SHALL BE PLACED ON A SINGLE EQUIPMENT SLAB. SEPARATE SLABS ARE NOT PERMITTED.

FILTER/ PUMP/ HEATER ANCHORAGE DETAIL

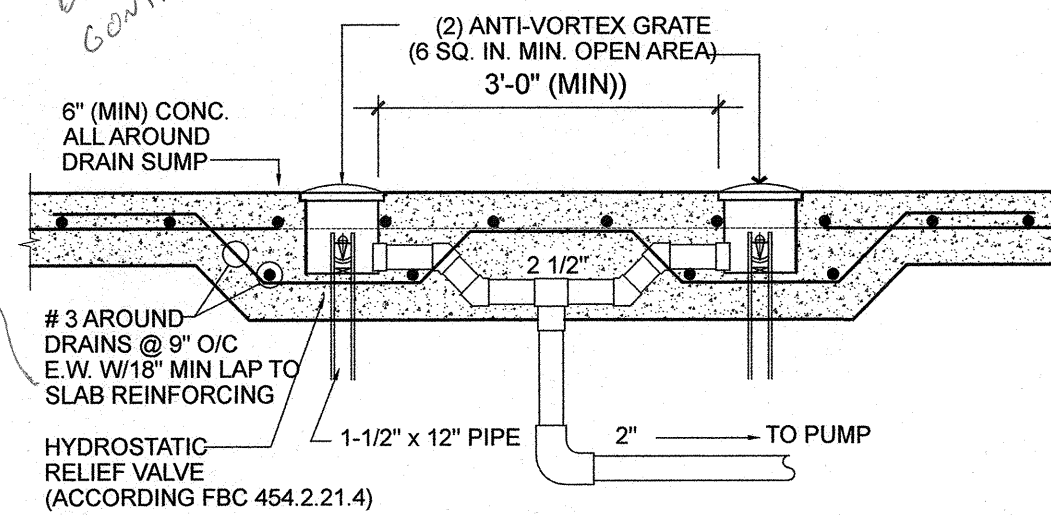


SKIMMER DETAIL



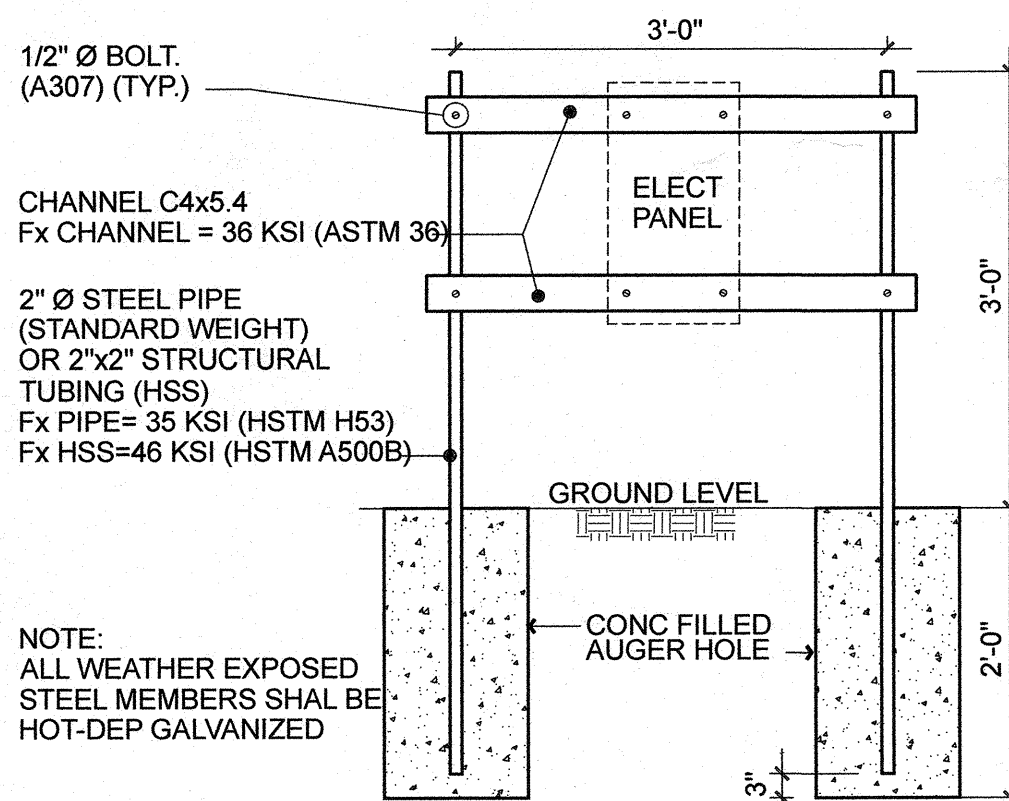
SECTION UNDER WATER LAMP
 SCALE 3/4" = 1'-0"

#3 BFRP DRAINS @ 9' O.C. SEE ACI 440.1K15 CONTINUOUS



DOUBLE MAIN DRAIN DETAIL

WITH HYDROSTATIC RELIEF VALVE PER FBC 2014 454.2.21.4 COMPLY W/ ENTRAPMENT PROTECTION- FBC R4501.6.6



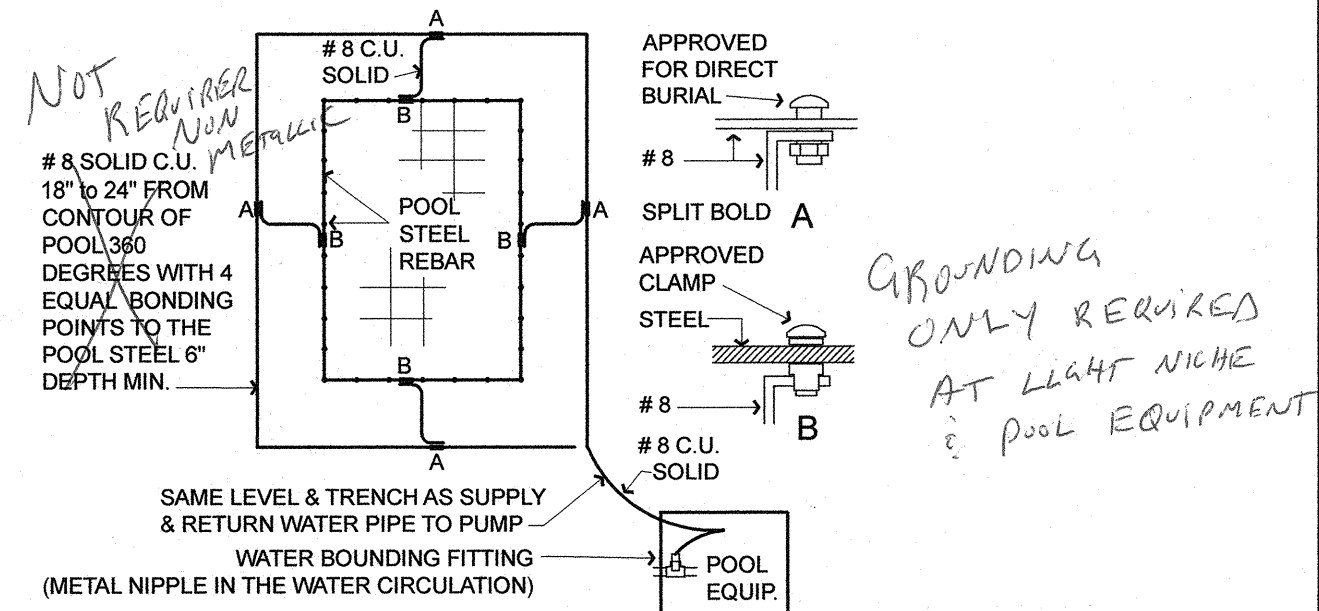
ELECTRICAL FREESTANDING PANEL DET
 N.T.S.

PUMPING FLOW RATES @ 60 TDH

3/4 hp =	55 gpm
1.0 HP =	75 gpm
1.5 HP =	90 gpm
2.0 HP =	95 gpm
2.5 HP =	115 gpm
3.0 HP =	140 gpm

BASED UPON STA-RITE MAX-E-GLASS II SELF PRIMING PUMP

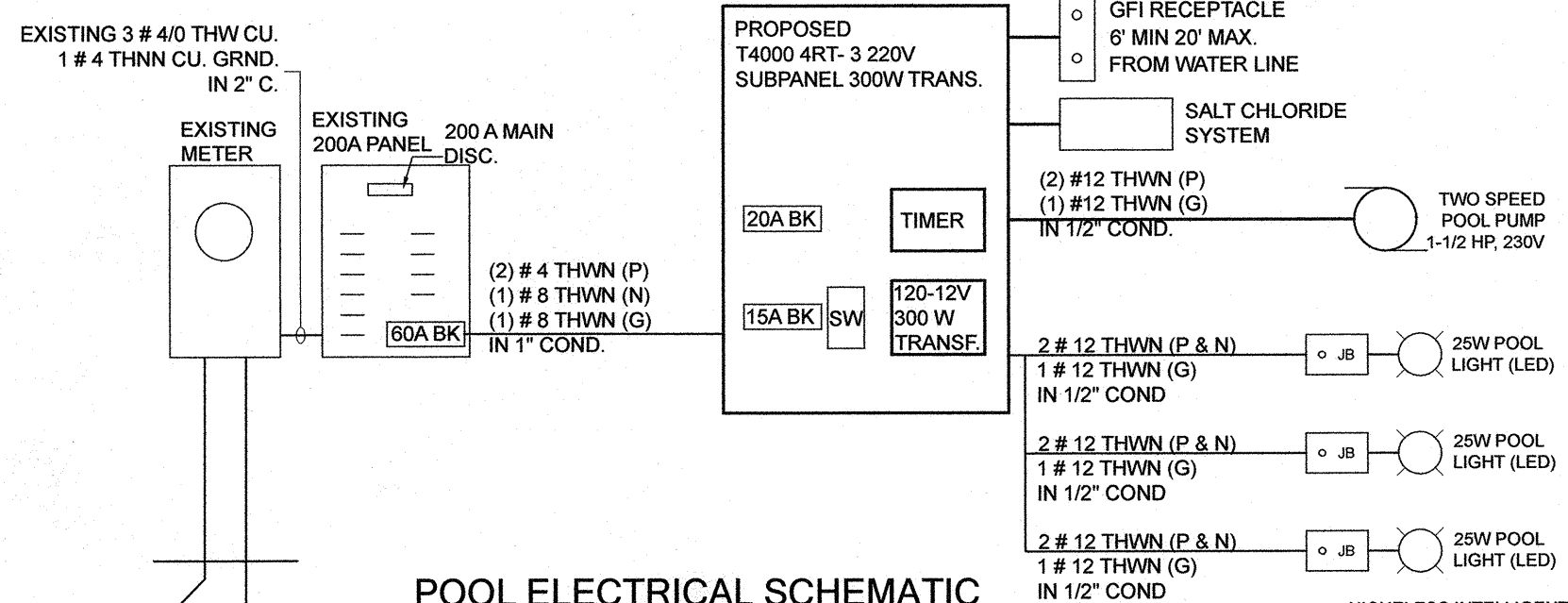
PIPE SIZE	PRESSURE FLOW CAPACITY (10FPS)	SUCTION FLOW CAPACITY (8FPS)
1.5"	60 gpm	49 gpm
2.0"	100 gpm	80 gpm
2.5"	150 gpm	110 gpm
3.0"	220 gpm	180 gpm



EQUIPOTENTIAL BONDING GRID DETAIL NO STEEL BONDING REQUIRED TO COMPLY 2011 NEC 680.26 (B) & (C) ONLY AT LAMP AND INTO POOL EQUIPMENT

CODES IN EFFECT ARE NEC 2011 AND FBC 2014 , 5th EDITION

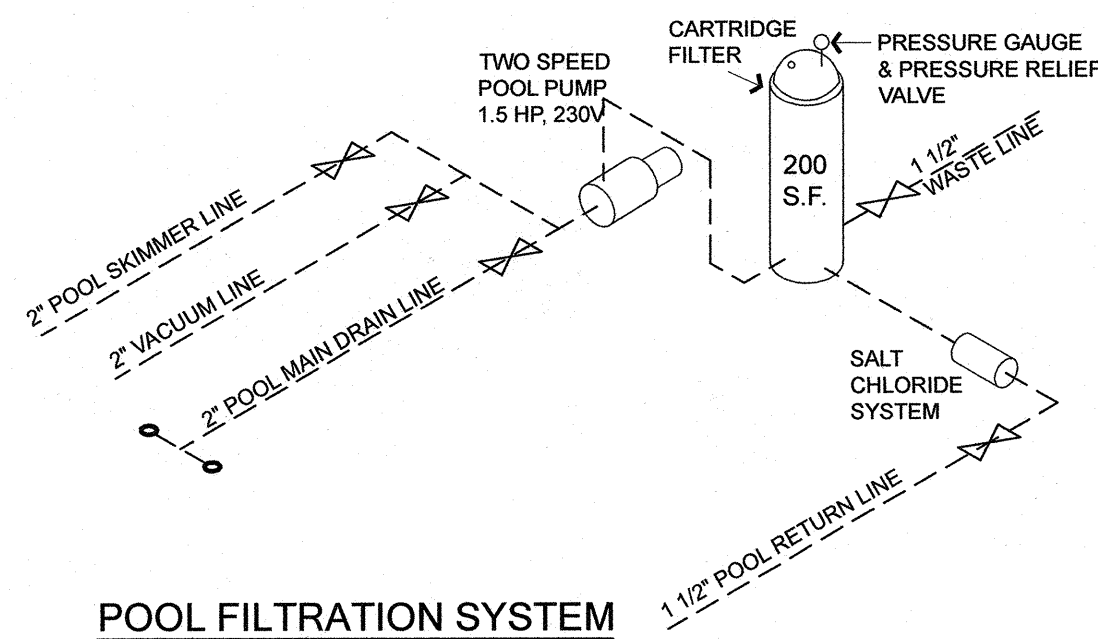
I HEREBY CERTIFY THAT THE EXISTING SERVICE AND PANEL HAVE ENOUGH CAPACITY TO ACCOMMODATE THE NEW/ ADDED LOAD



POOL ELECTRICAL SCHEMATIC

- A. ALL POOL ELECTRICAL WORK SHALL COMPLY WITH NEC.
- B. NO OVERHEAD ELECTRICAL WIRING SHALL BE LOCATED WITHIN 10' OF POOL'S WATER EDGE UNLESS IT IS 18" OR HIGHER.
- C. GROUND ALL BOXES, LIGHTS, MOTORS, LADDERS, ETC WITH #8 GROUND WIRE.
- D. DECK-AROUND POOL REQUIRE (4) EQUAL SIDES BONDED WITHIN 3" OF THE RIM.
- E. ALL SWIMMING POOL PUMPS REQUIRE GFCI BREAKERS AS PER NEC 680.22B
- F. COMPLY WITH NEC 680.22
- G. COMPLY WITH FBC E 403.9
- H. OVERLOAD PROTECTION COMPLY NEC 430.32
- I. EXISTING PANEL COMPLY WITH 680.25

NOT REQUIRED FOR NON METALLIC REINFORCEMENT



POOL FILTRATION SYSTEM EQUIPMENT SCHEMATIC

REVISIONS

SIGN AND SEAL

STRUCTURAL DESIGN
 TC ENGINEERING INC. CA LIC No 32288
 CONSULTING ENGINEERS LIC No 74989
 ANTONIO CANELAS, P.E.
 7816 SW 24 ST SUITE 111, MIAMI, FL 33155
 PHONE (305) 251-0021
 tcengineering@gmail.com

ROSAMEL POOLS & OUTDOORS

SWIMMING POOL PLAN
 COMPANY NAME: ILIANA GUTIERREZ RESIDENCE
 PROJECT: 13202 SW 39 TERRACE, MIAMI, FL

DATE: 11-13-2017
 OWNER: AS NOTED
 SCALE: AS NOTED

DESCRIPTION: SWIMMING POOL PLAN
 DRAWN: BLUE CAYMAN DESIGN
 JOB No: 2017

REFERENCE:

DRAWING NO.